

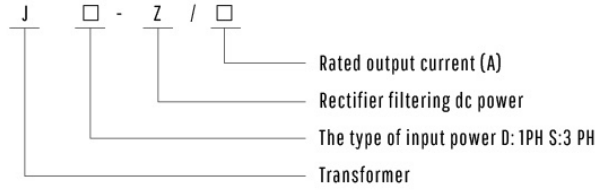


DZD



JSZ

Type and meaning

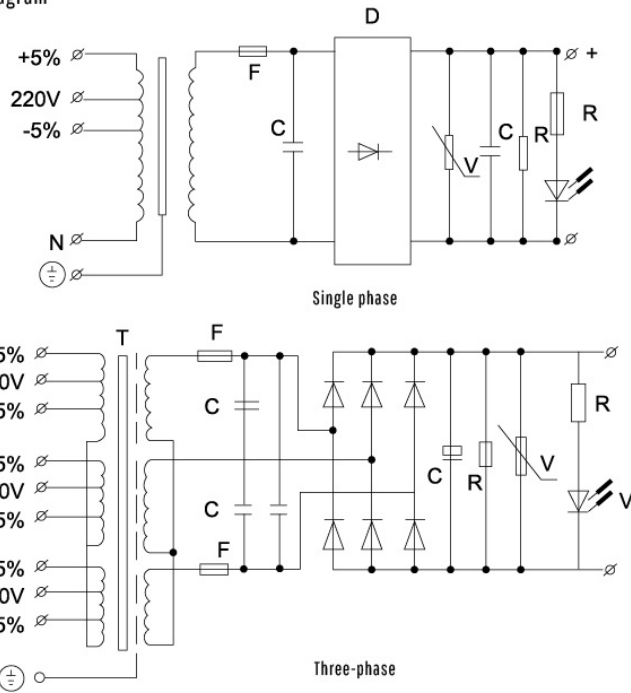


DZD and JSZ DC power supply are the latest compact power supply developed by LINKWELL ELECTRIC. It has the characteristics of compact structure, beautiful appearance, small ripple, low power consumption, large capacity and high protection level. It is suitable for AC 50HZ (or 60HZ), rated input voltage not exceeding 500V, rated output voltage is DC24V, used as DC power supply for general electrical control of various equipments in various industries.

Features and advantages

- The products conform to IEC standards;
- Rated input voltage with plus or minus 5% tap;
- Large capacitance filter, ripple coefficient < 5;
- Quick fuse protection;
- Transformer and rectification power supply integration, structure compaction qin, beautiful appearance;
- The core adopts gas shielded argon arc welding technology, no air gap, no noise and low loss;
- Built - in voltage sensitive resistor for over - voltage protection;
- Protection level up to IP20, can effectively meet the requirements of touch protection.

Circuit diagram



Model No.	DZD	JSZ
Rated input voltage	AC220V±5%, AC380V±5%	
Rated output voltage	DC24V	
Rated output current	2A, 5A, 10A, 20A	
Rated load output voltage	95% Un ≤ Um ≤ 105% Un	
Efficiency	>75%	
Ripple factor	≤5% (JSZ Type ≤2%)	
Power frequency withstand voltage	Core 1 input room: AC2500V 1min/core 1 output room: AC1000V 1min	
Ambient temperature	-5℃ ~ +40℃	