

TS 15/5.5



TS 35/7.5



TS 35/15



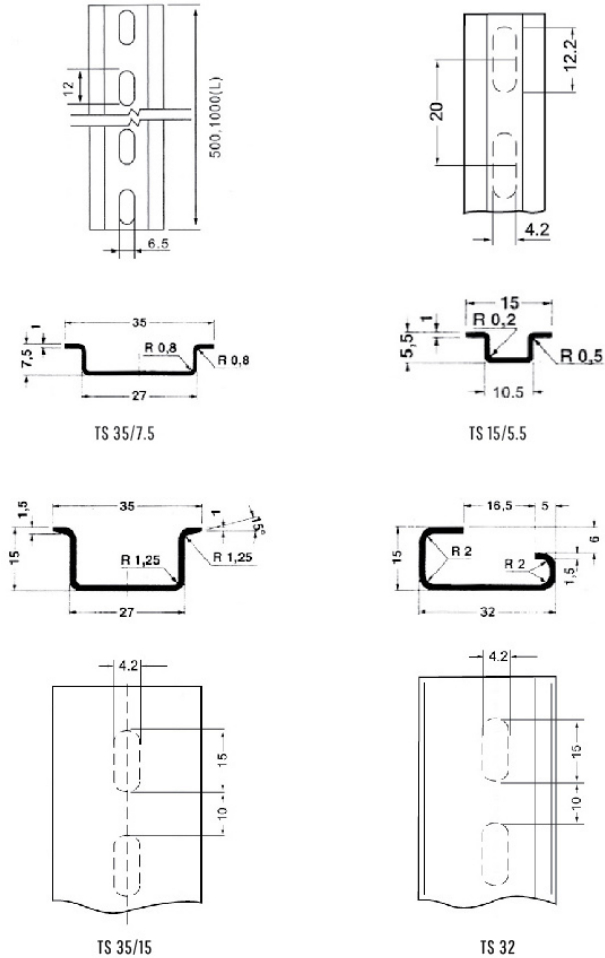
TS 32

The installing guide is designed according to the new Europe standard EN 50 022, EN 50 035, EN50 045.

It has a precise height, strict tolerance, fine surface and good finish. The steel guide has been zinc-plated and yellow processed.

For the convenience of installing and making holes, there is a line printed on the center of guide which also exists on the aluminum and copper guide. Length and can be with round hole, long hole or trough.

Dimensional drawing



Product description

TS 15/5.5	According to 50 045-15×5mm Made of steel, yellow, without hole length: 2m NS 15/5.5 without hole
TS 35/7.5	According to EN 50 022-35X7.5mm Made of steel, yellow, without hole length: 2m TS 35/7.5 without hole
TS 35/15	According to EN 50 022-35X15mm Made of steel, yellow, without hole length: 2m TS 35/15 without hole
TS 32	According to EN 50 035-G 32 Made of steel, yellow, without hole length: 2m TS 32 without hole

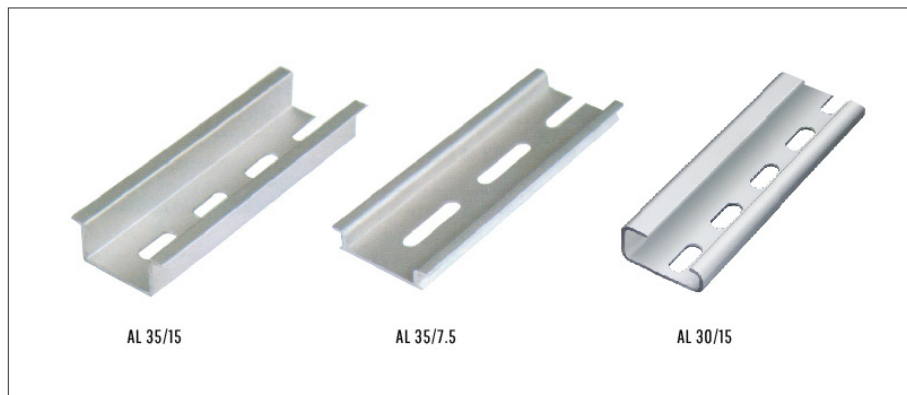
Aluminum DIN rail and accessories

Aluminum DIN rail

AL 35/15 thickness : 1.5mm

AL 35/7.5 thickness : 1.1mm or 1.5mm

AL 30/15 thickness : 1mm or 2mm



DIN rail retainer TSTW

Thickness : 2mm



DIN rail cutter

For: Aluminum Din rail NSL35/7.5 (1.5mm)

Aluminum Din rail NSL35/7.5 (1mm)

