

## Explosion-proof cast aluminum junction box



Model	R	S	T
KPA9	86	80	6
KPA11	100	120	6
KPA12	125	144	6.5
KPA13	149	168	6.5
KPA14	196	226	9
KPA15	236	275	9
KPA16	283	367	9



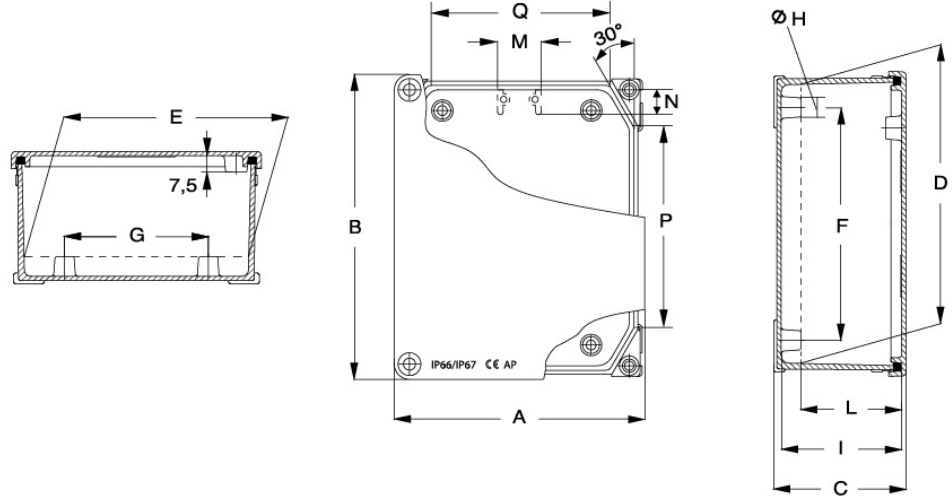
## Explosion-proof cast aluminum junction box



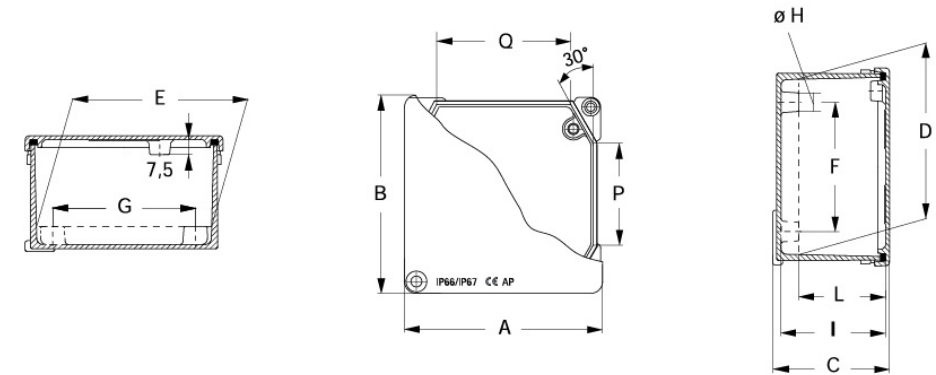
Model	A	B	C	D	E	F	G	H	I	L	M	N	P	Q
KPA9	100	100	59	88	88	66	70.5	10	53	44	-	-	48	65
KPA11	115	140	61	128	103	107	66	10	55	46	-	-	90	81
KPA12	141	166	64	153	128	121	99	12.5	58	49	-	-	104	100
KPA13	168	192	80	176	152	153	113	10	74	65	-	-	128	125
KPA14	217	253	93	236	201	188	153	12.5	85	75	38	21	169	162
KPA15	264	314	122	292	243	238	198	12.5	114	106	49	24	203	192
KPA16	315	410	150	386	291	333	248	12.5	141	126	61	31	295	245

## Dimensional drawing

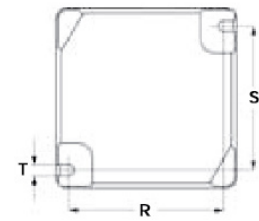
KPA. 11/12/13/14/15/16



KPA. 9



KPA. 9



KPA. 11/12/13/14/15/16

