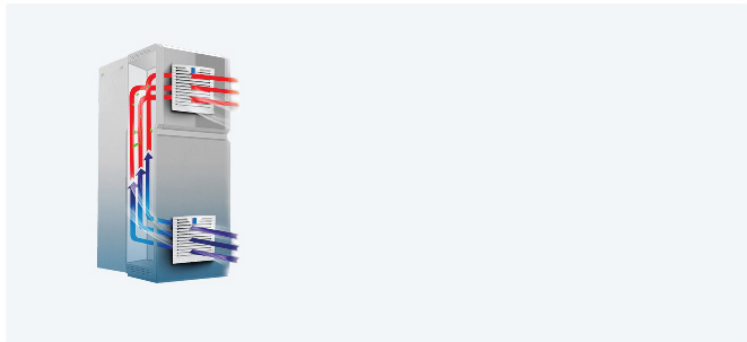


FK5521 series fan-and-filter

109x109mm | 24-35 m³/h

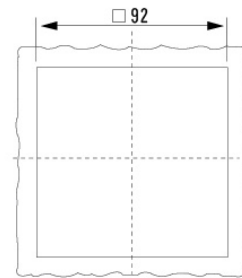
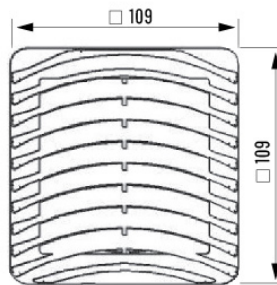
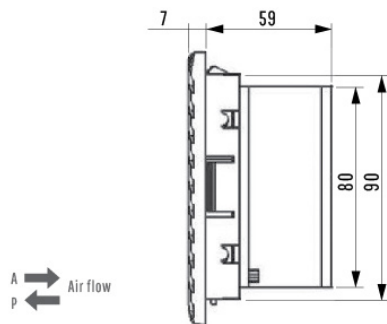


Colour	RAL7035,color can be customized
Protection category	NEMA 12-standard filter , IP54 standard , IP55 plus precision filter mat.



Dimensions

Exit filter FK 5521.300



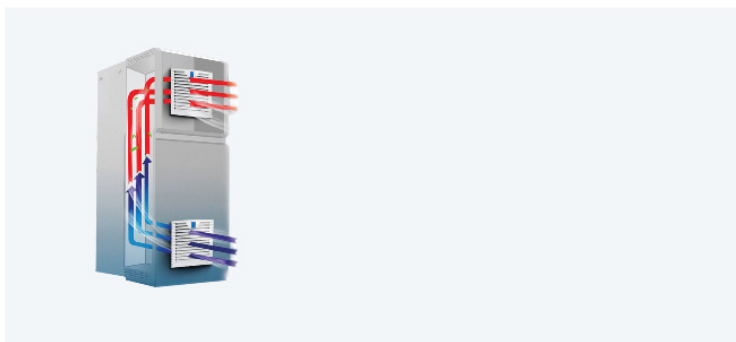
Model FK	Unit	FK5521.300	FK5521.230	FK5521.115	FK5521.024
Rated voltage	V		220-240	110-120	24DC
Rated frequency	Hz		50/60	50/60	
phase	ph		1	1	
Height/Width/Depth	mm	109×109×21	109×109×59	109×109×59	109×109×59
Rated Power	W		13	15	9.6
Rated current max.	A		0.08-0.07	0.15-0.13	0.4
Operating temperature range	°C		-30-+70	-30-+70	-30-+70
Protection degree	IP	54	54	54	54
Noise level	dB(A)		35	30	30
Air flow	m ³ /h		35	35	35
Air flow (+FK5521.300)	m ³ /h		24-27	24-27	24-27
Air flow direction			A/P	A/P	A/P

FK5522 series fan-and-filter

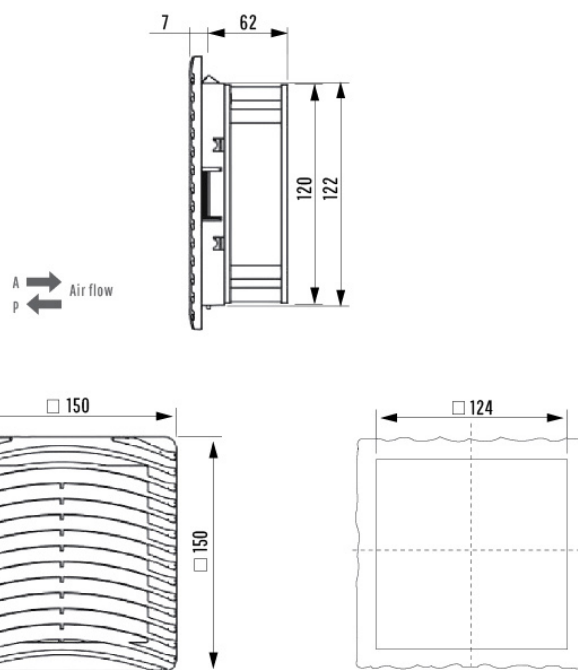
150x150mm | 50-67 m³/h



Colour	RAL7035,color can be customized
Protection category	NEMA 12-standard filter, IP54 standard, IP55 plus precision filter mat.



Dimensions



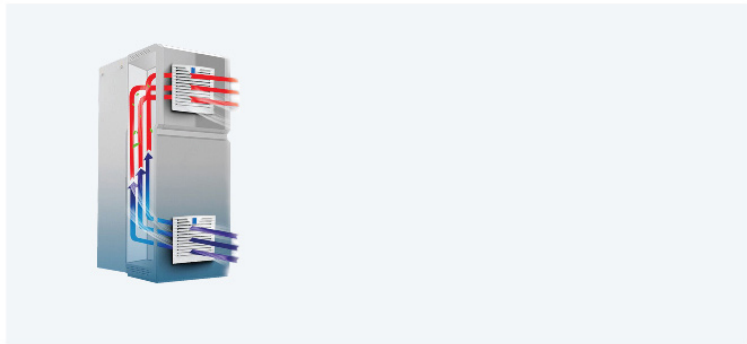
Model FK	Unit	FK5522.300	FK5522.230	FK5522.115	FK5522.024
Rated voltage	V		230	115	240C
Rated frequency	Hz		50/60	50/60	
phase	ph		1	1	
Height/Width/Depth	mm	150×150×21	150×150×62	150×150×62	150×150×62
Rated Power	W		30-22	26-22	7.2
Rated current max.	A		0.14-0.1	0.24-0.21	0.43
Operating temperature range	°C		-30-+70	-30-+70	-30-+70
Protection degree	IP	54	54	54	54
Noise level	dB(A)		45	45	45
Air flow	m ³ /h		67	67	67
Air flow (+FK5522.300)	m ³ /h		50-58	50-58	50-58
Air flow direction			A/P	A/P	A/P

FK5523 series fan-and-filter

204x204mm | 85-120 m³/h

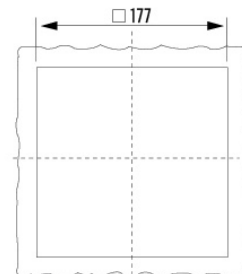
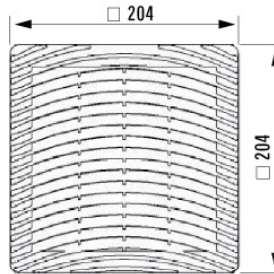
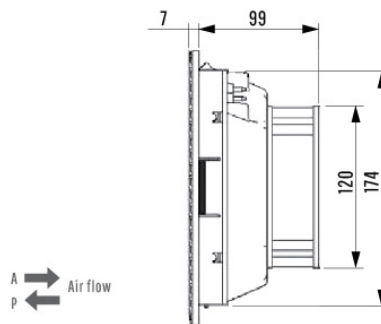


Colour	RAL7035,color can be customized
Protection category	NEMA 12-standard filter , IP54 standard , IP55 plus precision filter mat.



Dimensions

Exit filter FK 5523.300



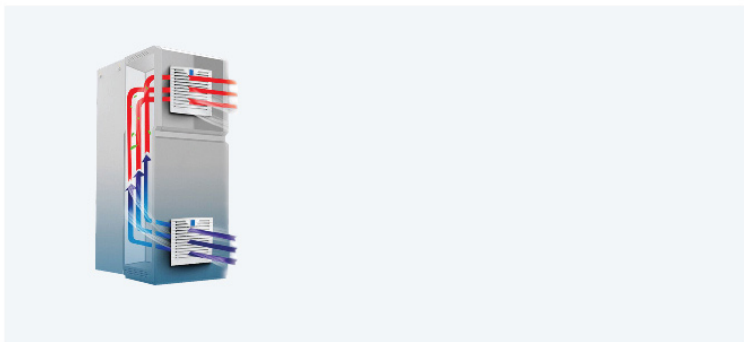
Model FK	Unit	FK5523.300	FK5523.230	FK5523.115	FK5523.024
Rated voltage	V		230	115	24DC
Rated frequency	Hz		50/60	50/60	
phase	ph		1	1	
Height/Width/Depth	mm	204×204×25	204×204×99	204×204×99	204×204×99
Rated Power	W		30-22	26-22	7.2
Rated current max.	A		0.14-0.1	0.24-0.21	0.43
Operating temperature range	°C		-30-+70	-30-+70	-30-+70
Protection degree	IP	54	54	54	54
Noise level	dB(A)		45	45	45
Air flow	m ³ /h		105-120	105-120	105-120
Air flow (+FK5523.300)	m ³ /h		85-100	85-100	85-100
Air flow direction			A/P	A/P	A/P

FK5524 series fan-and-filter

250x250mm | 120-240 m³/h

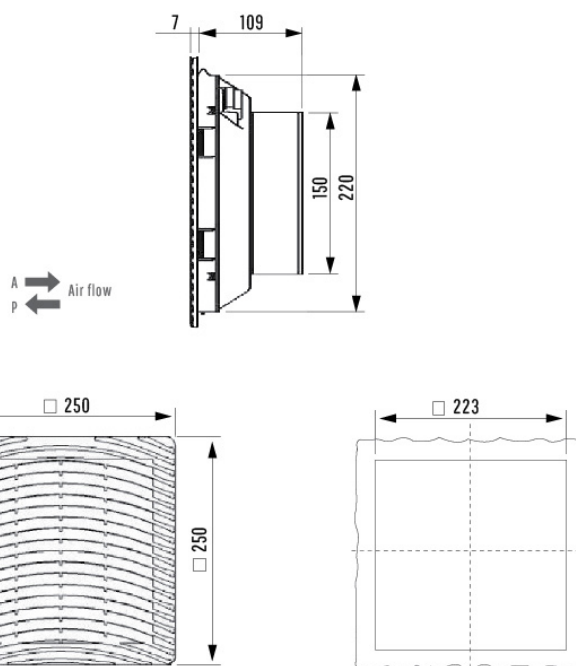


Colour	RAL7035,color can be customized
Protection category	NEMA 12-standard filter, IP54 standard, IP55 plus precision filter mat.



Dimensions

Exit filter FK 5524.300



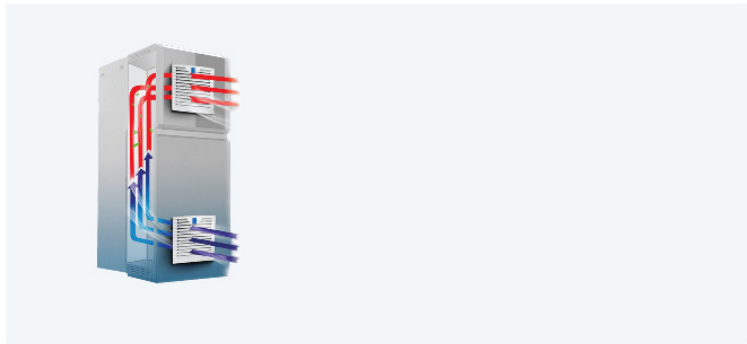
Model FK	Unit	FK5524.300	FK5524.230	FK5524.115	FK5524.024
Rated voltage	V		230	115	240C
Rated frequency	Hz		50/60	50/60	
phase	ph		1	1	
Height/Width/Depth	mm	250×250×25	250×250×109	250×250×109	250×250×109
Rated Power	W		41-38	41-38	14
Rated current max.	A		0.48-0.46	0.26-0.24	0.58
Operating temperature range	°C		-30-+70	-30-+70	-30-+70
Protection degree	IP	54	54	54	54
Noise level	dB(A)		48-50	48-50	50
Air flow	m ³ /h		240-220	240-220	220
Air flow (+FK5524.300)	m ³ /h		120-150	120-150	120-150
Air flow direction			A/P	A/P	A/P

FK5525 series fan-and-filter

250x250mm | 170-265 m³/h

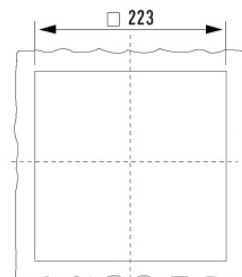
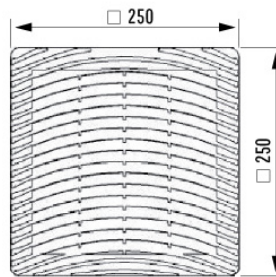
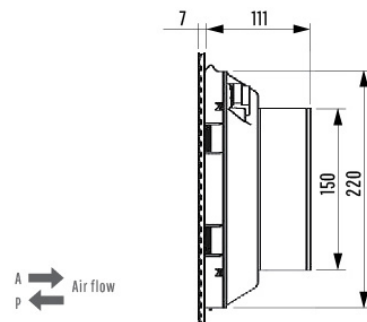


Colour	RAL7035,color can be customized
Protection category	NEMA 12-standard filter , IP54 standard , IP55 plus precision filter mat.



Dimensions

Exit filter FK 5525.300



Model FK	Unit	FK5525.300	FK5525.230	FK5525.115
Rated voltage	V		230	115
Rated frequency	Hz		50/60	50/60
phase	ph		1	1
Height/Width/Depth	mm	250×250×25	250×250×111	250×250×111
Rated Power	W		59-46	47-42
Rated current max.	A		0.33-0.28	0.50
Operating temperature range	°C		-30-+70	-30-+70
Protection degree	IP	54	54	54
Noise level	dB(A)		52	52
Air flow	m ³ /h		230-265	230-265
Air flow (+FK5525.300)	m ³ /h		170-230	170-230
Air flow direction			A/P	A/P

FK5526 series fan-and-filter

325x325mm | 360-600 m³/h

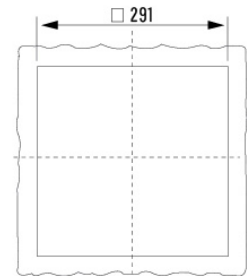
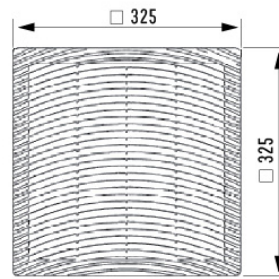
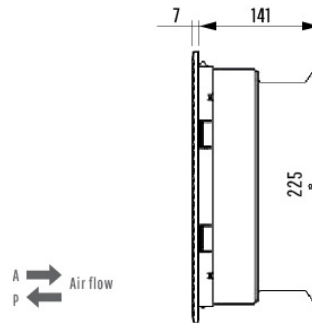


Colour	RAL7035,color can be customized
Protection category	NEMA 12-standard filter, IP54 standard, IP55 plus precision filter mat.



Dimensions

Exit filter FK 5526.300



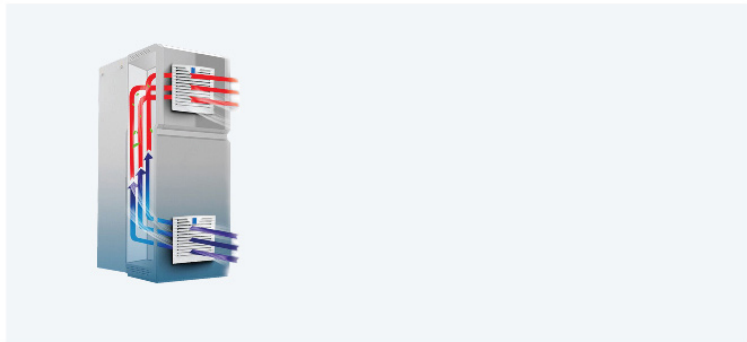
Model FK	Unit	FK5526.300	FK5526.230	FK5526.115
Rated voltage	V		230	115
Rated frequency	Hz		50/60	50/60
phase	ph		1	1
Height/Width/Depth	mm	325×325×25	325×325×141.5	325×325×141.5
Rated Power	W		63	61
Rated current max.	A		0.29	0.61
Operating temperature range	°C		-30-+70	-30-+70
Protection degree	IP	54	54	54
Noise level	dB(A)		59	59
Air flow	m ³ /h		550-600	550-600
Air flow (+FK5526.300)	m ³ /h		360-490	360-490
Air flow direction			A/P	A/P

FK5527 series fan-and-filter

325x325mm | 500-800 m³/h

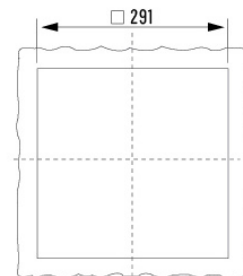
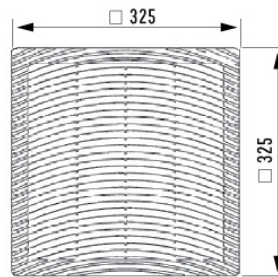
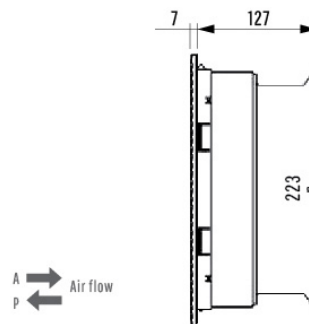


Colour	RAL7035,color can be customized
Protection category	NEMA 12-standard filter , IP54 standard , IP55 plus precision filter mat.



Dimensions

Exit filter FK 5527.300



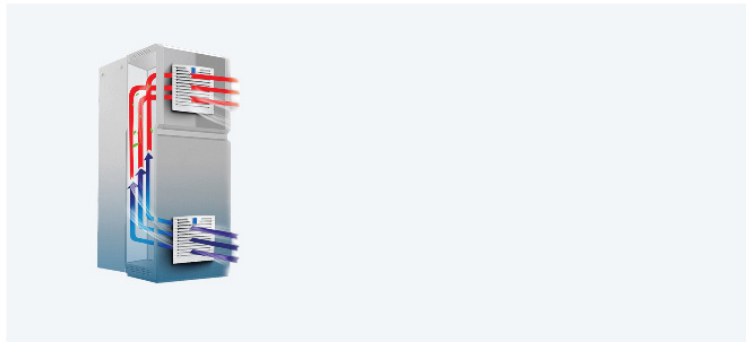
Model FK	Unit	FK5527.300	FK5527.230	FK5527.115
Rated voltage	V		230	115
Rated frequency	Hz		50/60	50/60
phase	ph		1	1
Height/Width/Depth	mm	325×325×25	325×325×127	325×325×127
Rated Power	W		50	50
Rated current max.	A		0.26	0.46
Operating temperature range	°C		-30-+70	-30-+70
Protection degree	IP	54	54	54
Noise level	dB(A)		59	59
Air flow	m ³ /h		650-800	650-800
Air flow (+FK5527.300)	m ³ /h		500-600	500-600
Air flow direction			A	A

FK5528 series fan-and-filter

325x325mm | 360-1350 m³/h

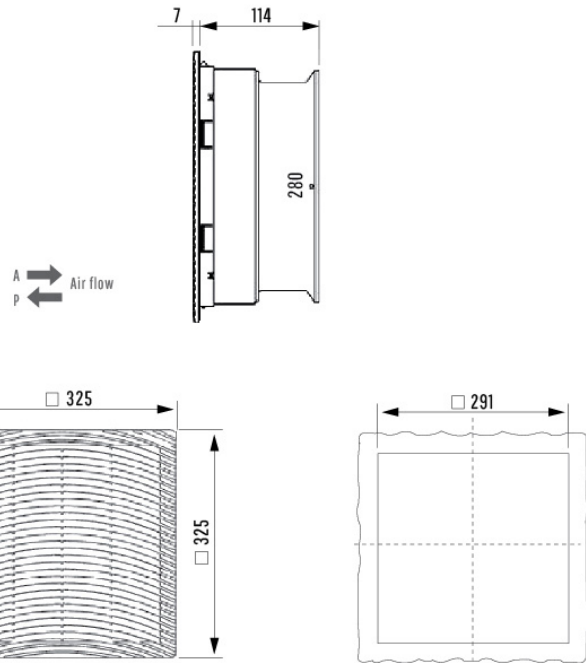


Colour	RAL7035,color can be customized
Protection category	NEMA 12-standard filter, IP54 standard, IP55 plus precision filter mat.



Dimensions

Exit filter FK 5528.300



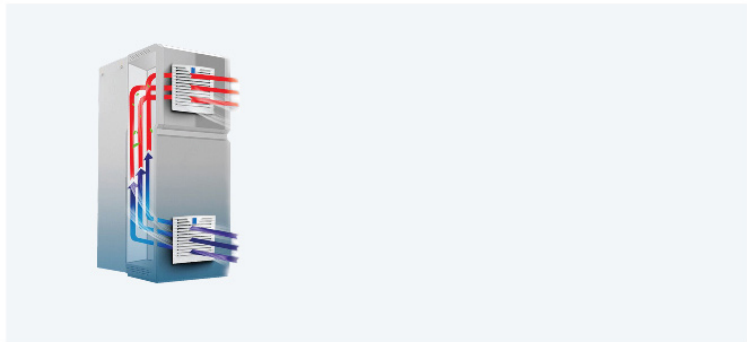
Model FK	Unit	FK5528.300	FK5528.230	FK5528.115
Rated voltage	V		230	115
Rated frequency	Hz		50/60	50/60
phase	ph		1	1
Height/Width/Depth	mm	325×325×25	325×325×114	325×325×114
Rated Power	W		63	61
Rated current max.	A		0.29	0.61
Operating temperature range	°C		-30-+70	-30-+70
Protection degree	IP	54	54	54
Noise level	dB(A)		59	59
Air flow	m ³ /h		1150-1350	1150-1350
Air flow (+FK5528.300)	m ³ /h		360-490	360-490
Air flow direction			A	A

FK5529 series fan-and-filter

325x325mm | 500-1350 m³/h

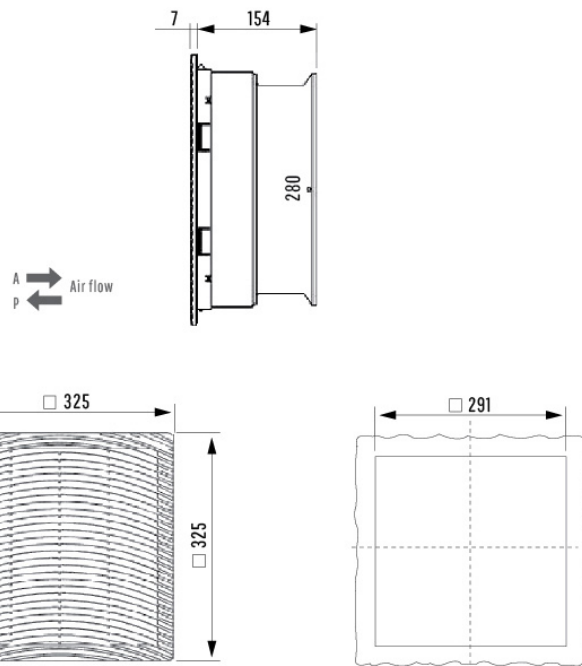


Colour	RAL7035,color can be customized
Protection category	NEMA 12-standard filter , IP54 standard , IP55 plus precision filter mat.



Dimensions

Exit filter FK 5529.300



Model FK	Unit	FK5529.300	FK5529.230	FK5529.115
Rated voltage	V		230	115
Rated frequency	Hz		50/60	50/60
phase	ph		1	1
Height/Width/Depth	mm	325×325×25	325×325×154	325×325×154
Rated Power	W		140-105	136-110
Rated current max.	A		0.62-0.48	1.2-1.1
Operating temperature range	°C		-30-+70	-30-+70
Protection degree	IP	54	54	54
Noise level	dB(A)		63-65	63-65
Air flow	m ³ /h		1150-1350	1150-1350
Air flow (+FK5529.300)	m ³ /h		750-950	750-950
Air flow direction			A	A