

Cast aluminum case



DIN rail terminal block



Cable gland



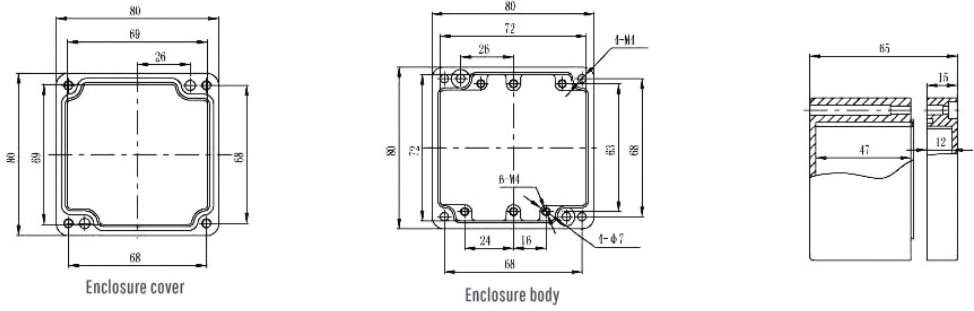
Mounting plate



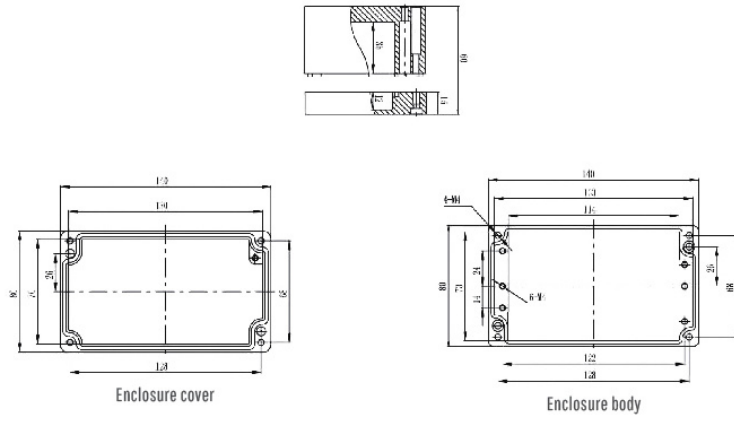
Invisible hinge、Earthing part

Model No	Code No.	Length(mm)	Width(mm)	Depth(mm)
LK080807	510.080807	80	80	65
LK140806	510.140806	140	80	60
LK161007	510.161007	160	100	70
LK161609	510.161609	160	160	90
LK221208	510.221208	220	120	80
LK261609	510.261609	260	160	90
LK271509	510.271509	270	150	90
LK282311	510.282311	280	230	110
LK332312	510.332312	330	230	120
LK402311	510.402311	400	230	110

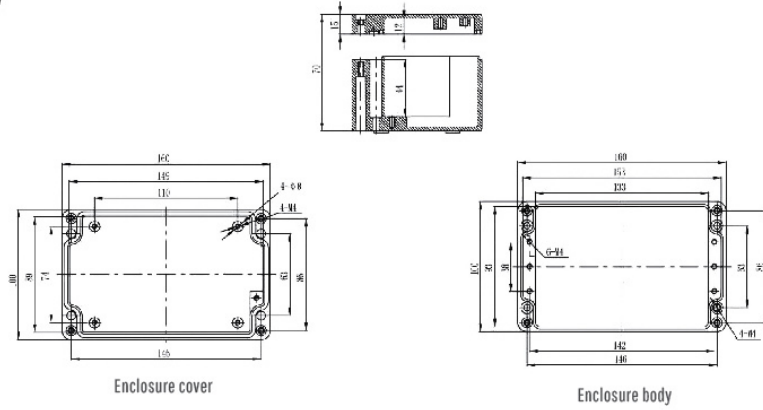
Dimensional drawing
LK080807



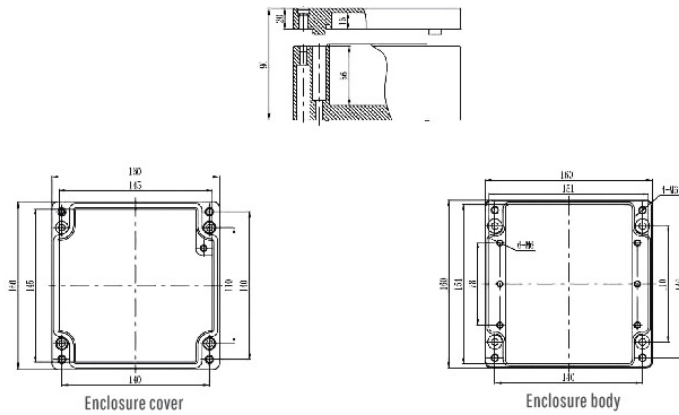
LK140806



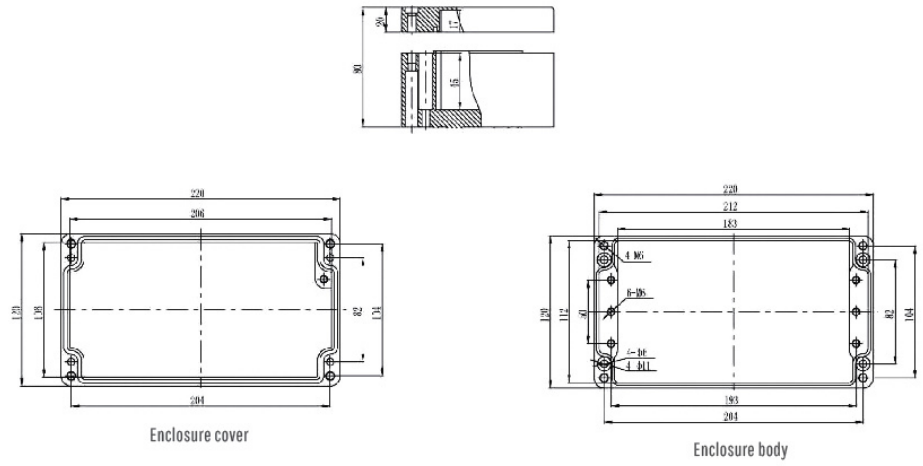
LK161007



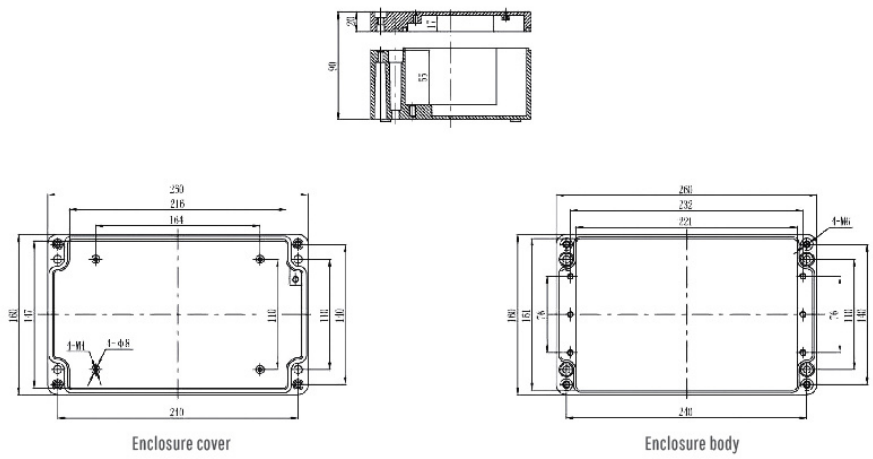
LK161609



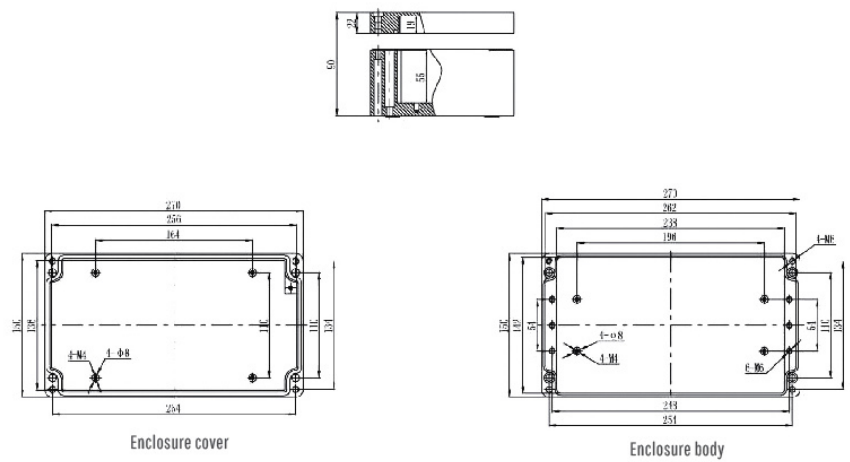
LK221208



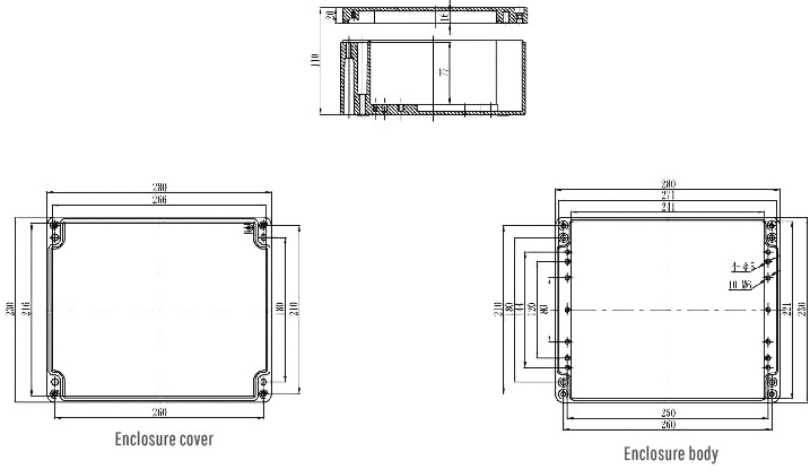
LK261609



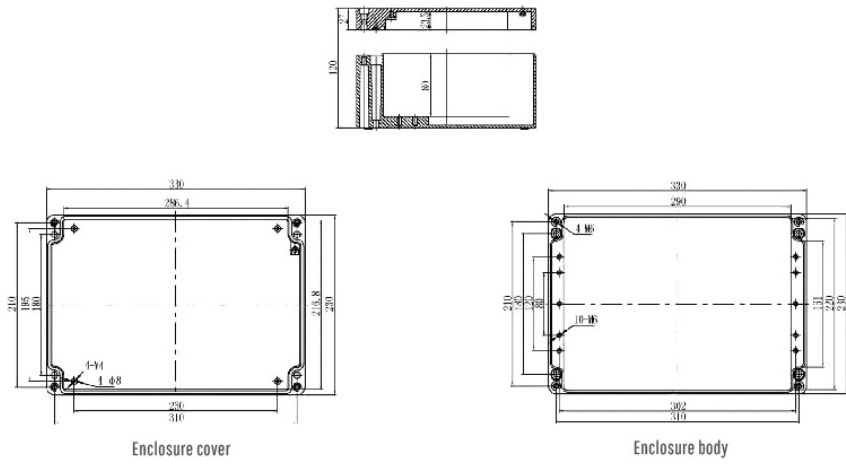
LK271509



LK282311



LK332312



LK402311

