

LK Transparent connectivity protection window hood

IP67

It is applicable for special waterproof, dustproof and corrosion proof

- Executive Standard: IEC60529 IP54 IP67 EN60309

LK-4D Transparent connectivity protection hood LK4-D IP54



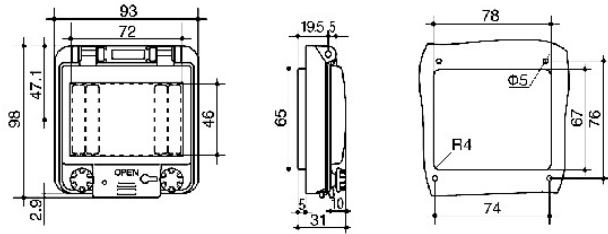
LK-4E Transparent connectivity protection hood LK4-EL IP67



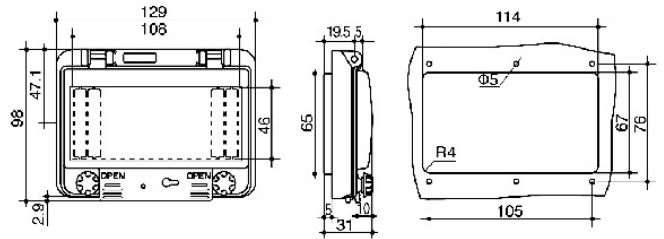
LK Transparent connectivity protection window hood

IP67

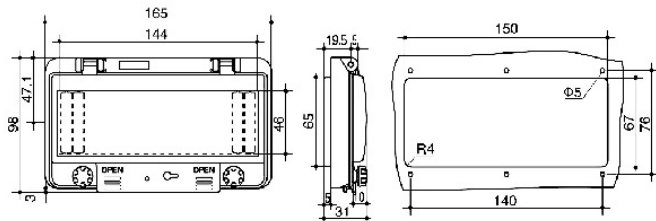
LK4-48 product appearance size, mounting hole and mounting hole location



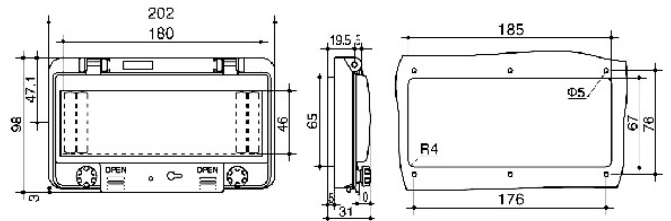
LK4-6B product appearance size, mounting hole and mounting hole location



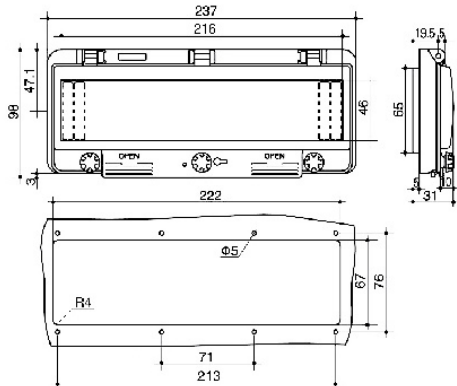
LK4-8B product appearance size, mounting hole and mounting hole location



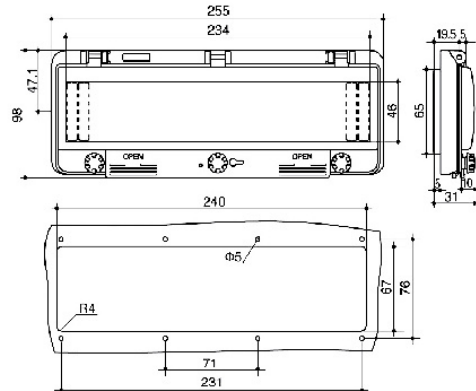
LK4-10B product appearance size, mounting hole and mounting hole location



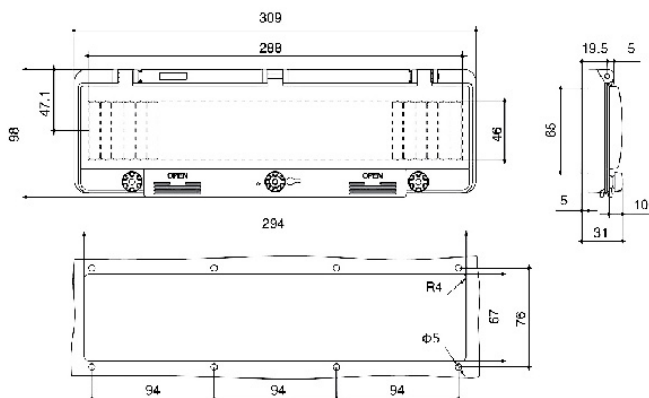
LK4-12B product appearance size, mounting hole and mounting hole location



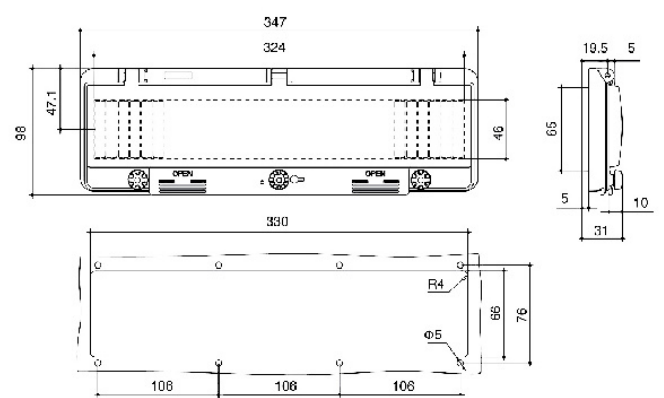
LK4-13B product appearance size, mounting hole and mounting hole location



LK4-16B product appearance size, mounting hole and mounting hole location

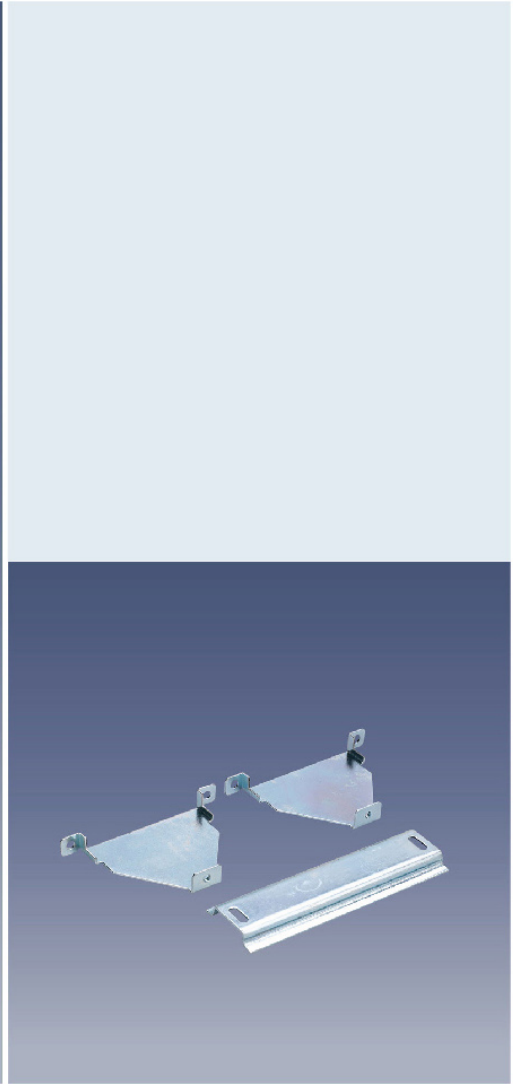


LK4-18B product appearance size, mounting hole and mounting hole location



Transparent connectivity protection window hood

IP67



Transparent connectivity protection window hood

- It is applicable for special waterproof, dustproof and corrosion proof
- Executive Standard: IEC60529 IP54 IP67 EN60309



Transparent connectivity protection window hood

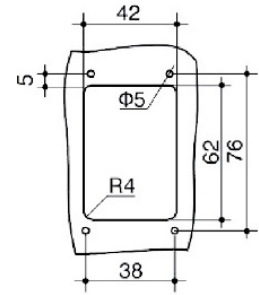
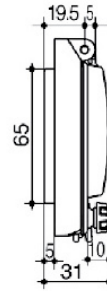
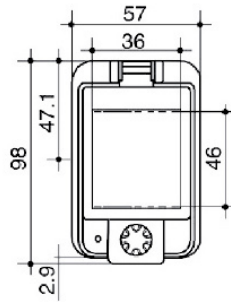
IP67

LK4-2B product appearance size, mounting hole and mounting hole location

Order No.
0402B



LK4-2B

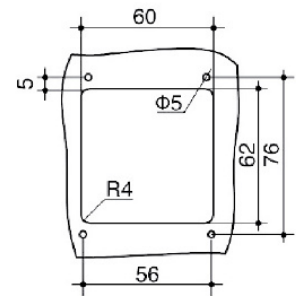
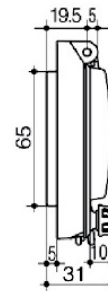
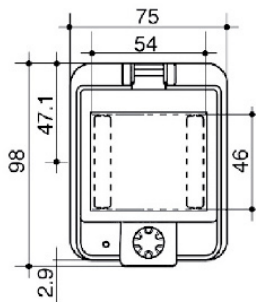


LK4-3B product appearance size, mounting hole and mounting hole location

Order No.
0403B



LK4-3B

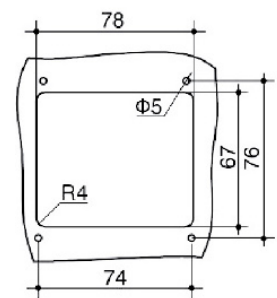
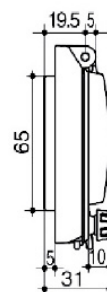
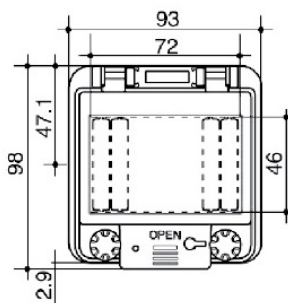


LK4-4B product appearance size, mounting hole and mounting hole location

Order No.
0404B



LK4-4B



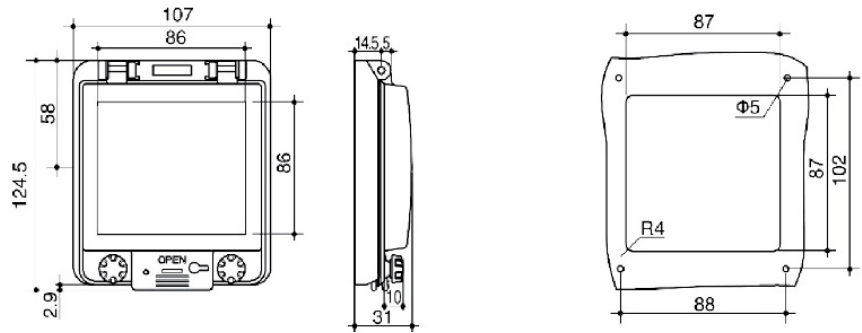
Transparent connectivity protection window hood

IP67

LK4-5B product appearance size, mounting hole and mounting hole location Order No. 04058



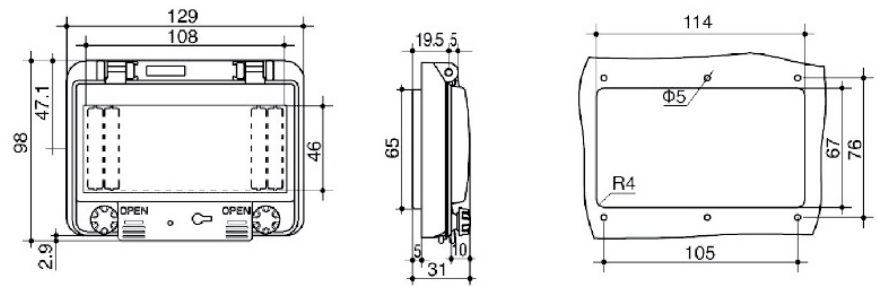
LK4-5B



LK4-6B product appearance size, mounting hole and mounting hole location Order No. 04068



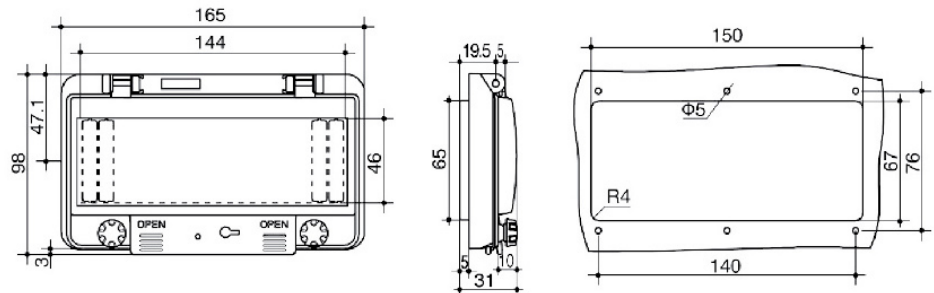
LK4-6B



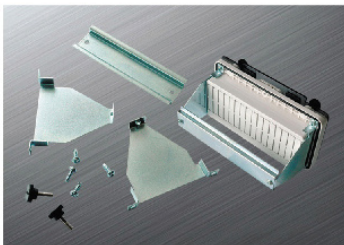
LK4-8B product appearance size, mounting hole and mounting hole location Order No. 04088



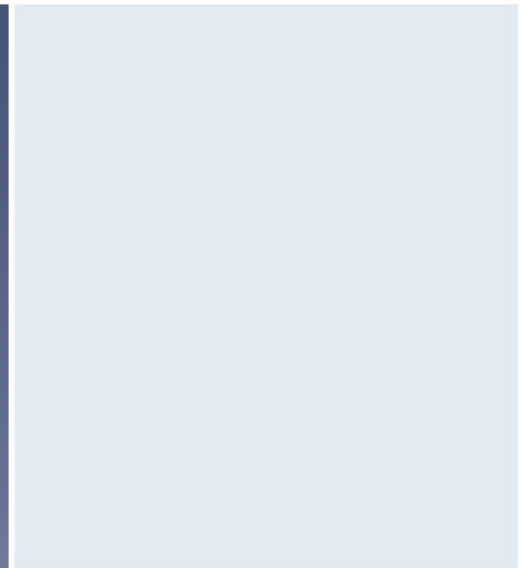
LK4-8B



Product appearance Order No. 0400



LK4-00



Transparent connectivity protection window hood

- It is applicable for special waterproof, dustproof and corrosion proof
- Executive Standard: IEC60529 IP54 IP67 EN60309



Transparent connectivity protection window hood

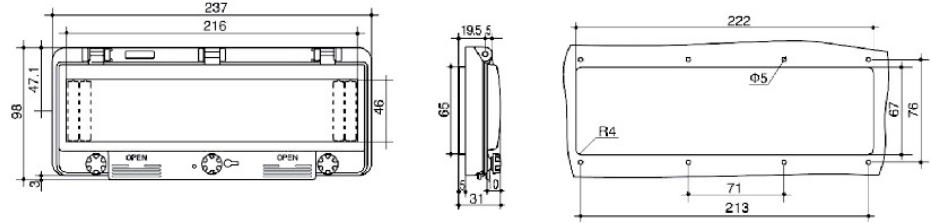
IP67



LK4-12B

LK4-12B product appearance size, mounting hole and mounting hole location

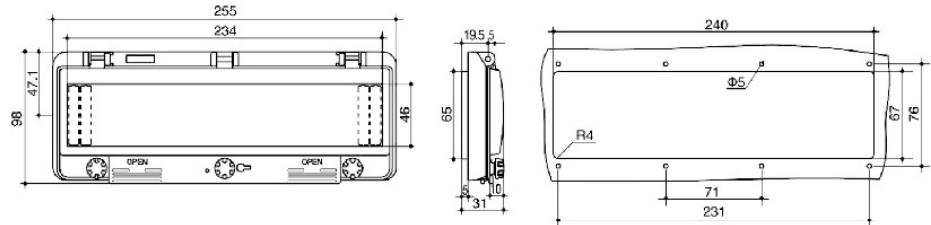
Order No.
0412B



LK4-13B

LK4-13B product appearance size, mounting hole and mounting hole location

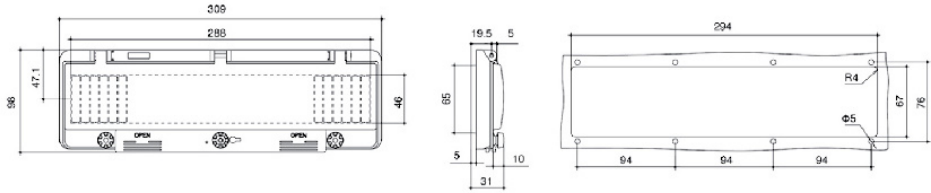
Order No.
0413B



LK4-16A

LK4-16A product appearance size, mounting hole and mounting hole location

Order No.
0416A



LK4-16B

LK4-16B product appearance size, mounting hole and mounting hole location

Order No.
0416B

