

# HG 140 Type Heater

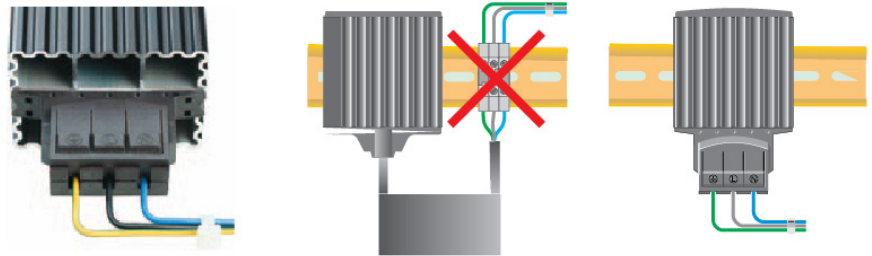
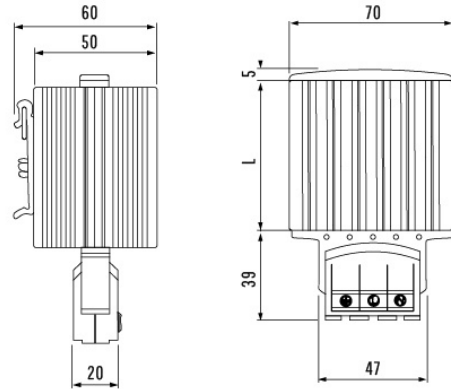
IP20



- Pressure clamp connectors
- Dynamic heating up
- wide voltage range
- Temperature limiting
- Energy saving
- Clip fixing
- Quick installation

These heaters are used in enclosures where damage from condensation must be prevented or where the temperature may not fall below a minimum value. The aluminium profile heater body design has a chimney effect and distributes the heat evenly. The pressure clamp connectors save time and simplify installation.

## Dimensions



Operating voltage	110-250V AC/DC
Heating element	PTC resistor, self regulating and temperature limiting
Heater body	extruded aluminium profile, anodised
Connection casing	3 pressure clamps for stranded wire 0.5-1.5mm <sup>2</sup> , (with wire and ferrule) and rigid wire 0.5-2.5mm <sup>2</sup> , plastic according to UL94 V-0, black
Mounting	clip for 35mm DIN rail, EN 50022
Fitting position	vertical
Operating/Storage temperature	-45 - +70°C (-49 - +158°F)
Protection type/Protection class	IP20/I(earthed)
Certificate	CE

Operating with voltages below 140V AC/DC reduces heating performance by approx. 10%

Model No.	Heating capacity	Inrush current max.	Length (mm)	Weight (approx. kg)
HG 140-15	15W	1.5	70	0.25
HG 140-30	30W	2.5	70	0.25
HG 140-45	45W	3.0	70	0.25
HG 140-60	60W	3.5	70	0.25
HG 140-75	75W	4.0	70	0.25
HG 140-100	100W	4.5	140	0.40
HG 140-150	150W	9.0	140	0.40

# LK 140 Type Heater

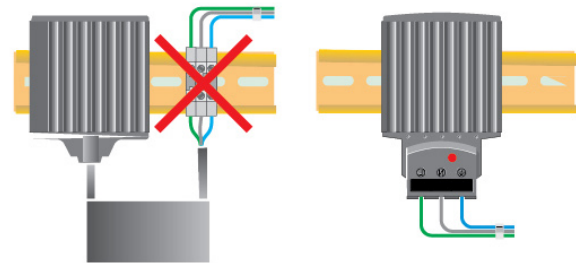
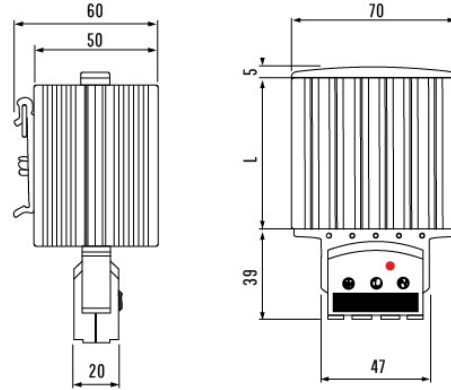
IP20



- Screw terminal connector
- Dynamic heating up
- wide voltage range
- Temperature limiting
- With indicator showing on/off
- Energy saving
- Clip fixing
- Quick installation

These heaters are used in enclosures where damage from condensation must be prevented or where the temperature may not fall below a minimum value. The aluminium profile heater body design has a chimney effect and distributes the heat evenly. The pressure clamp connectors save time and simplify installation.

## Dimensions



Operating voltage	110-250V AC/DC
Heating element	PTC resistor, self regulating and temperature limiting
Heater body	extruded aluminium profile, anodised
Connection casing	3 pressure clamps for stranded wire 0.5-1.5mm <sup>2</sup> , (with wire and ferrule) and rigid wire 0.5-2.5mm <sup>2</sup> , plastic according to UL94 V-0, black
Mounting	clip for 35mm DIN rail, EN 50022
Fitting position	vertical
Operating/Storage temperature	-45 - +70°C (-49 - +158°F)
Protection type/Protection class	IP20/I(earthed)
Certificate	CE

Operating with voltages below 140V AC/DC reduces heating performance by approx. 10%

Model No.	Heating capacity	Inrush current max.	Length (mm)	Weight (approx. kg)
LK 140-15	15W	1.5	70	0.25
LK 140-30	30W	2.5	70	0.25
LK 140-45	45W	3.0	70	0.25
LK 140-60	60W	3.5	70	0.25
LK 140-75	75W	4.0	70	0.25
LK 140-100	100W	4.5	140	0.40
LK 140-150	150W	9.0	140	0.40

# HGL 046 Type Compact Fan Heater

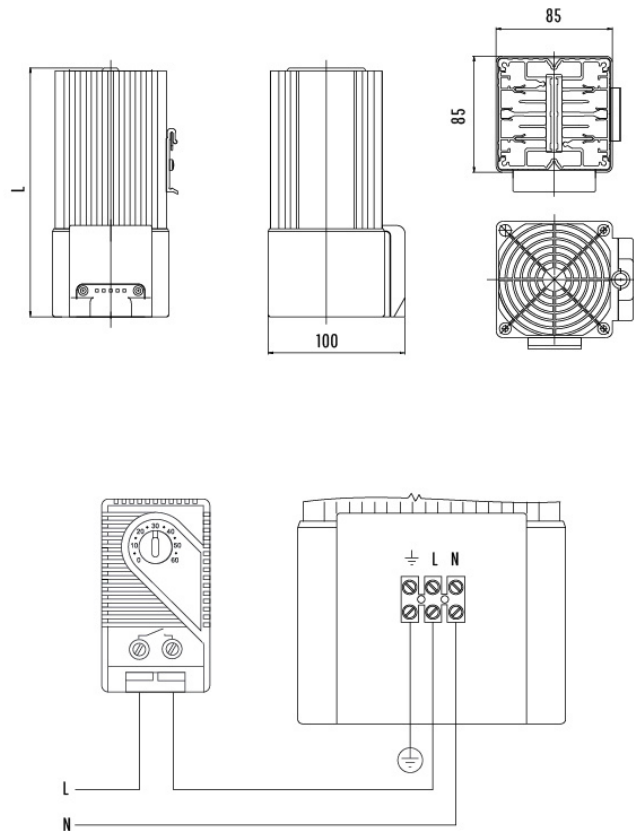
IP20



- Compact Design
- Clip fixing
- Long service life
- Maintenance free
- Temperature safety cut-out

Compact fan heater prevents formation of condensation. The integrated high performance axial fan provides forced air circulation and so guarantees an even temperature in enclosures. With internal terminal connector.

## Dimensions



Operating voltage	230V AC 50/60Hz
Heating element	PTC resistor, self regulating and temperature limiting
Temperature safety cut-out	to protect against overheating in case of fan failure
Heater body	anodised extruded aluminium profile
Surface temperature	max. 75 °C (400W)
Axial fan	Airflow, free flow AC: 45m³/h (50HZ) or 54m³/h (60Hz) DC: 54m³/h
Mean life	50 000h at 25 °C
Connection	internal connection terminal 1.5mm² with strain relief clamping torque 0.8Nm max.
Connection casing	plastic according to UL94 V-0, black
Mounting	clip for 35mm DIN rail, EN 50022
Fitting position	vertical
Operating/Storage temperature	-45 - +70 °C (-49 - +158°F)
Protection type/Protection class	IP20 / I (earthed)

Model No.	Operating voltage	Heating capacity	Width/Height/Depth (mm)	Weight (approx.)
HGL046-250	230VAC, 50/60HZ	250W	85x183x85mm	1.10kg
HGL046-400	230VAC, 50/60HZ	400W	85x216x85mm	1.40kg

# HV/HVL 031 Heater

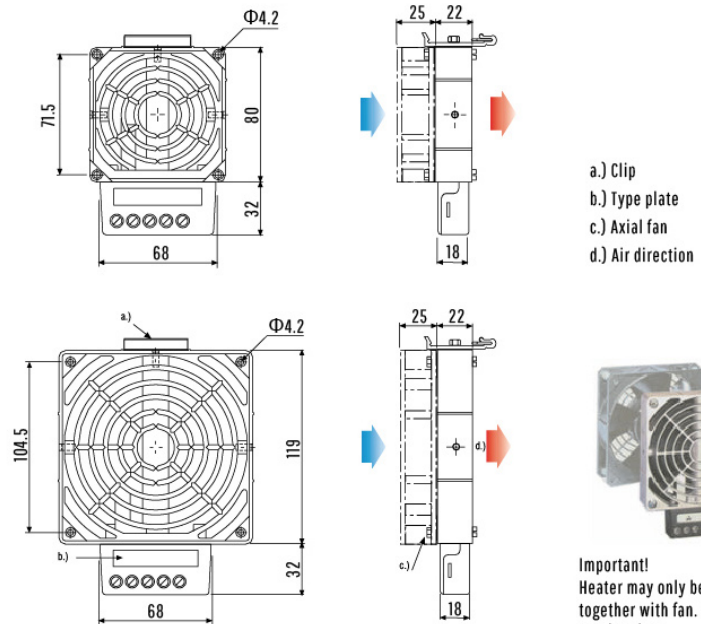
IP20



- Compact / Flat design
- Temperature safety cut-out
- High air through-flow
- Clip fixing

Compact high-performance fan heater prevents formation of condensation and frost and provides an evenly distributed interior air temperature in enclosures with electric/electronic components. This fan heater is available without fan (HV 031) and with fan (HVL 031).

### Dimensions



HV 031	Heater without fan (fan mounting kit included)
HVL 031	Heater with fan
Heating element	high performance cartridge
Temperature safety cut-out	to protect against overheating in case of fan failure
Heater body	die-cast aluminium(glass bead blasted)
Connection	3-pole screw connector 2.5mm <sup>2</sup> , clamping torque 0.8Nm max
Connection casing	plastic according to UL94 V-0, BLACK
Mounting	clip for 35mm DIN rail, EN50022
Fitting position	horizontal
Operating/storage temperature	-45 - +70°C/(-49 - +158°F)
Protection type/Protection class	IP20/1(earthed)
HVL 031	
Mean life	50,000h at 25°C/(77°F)
Connection(axial fan)	2-pole screw connector 2.5mm <sup>2</sup> (L2/N2)

Art.no.HV 031	Art.no.HV 031	Heating capacity	Dimensions	Weight(approx.)
230vac,50/60Hz	120 vac,50/60Hz			
03100.0-00	03100.9-00	100W	80 x 112 x 22mm	0.40kg
03101.0-00	03101.9-00	150W	80 x 112 x 22mm	0.40kg
03110.0-00	03110.9-00	200W	119 x 151 x 22mm	0.50kg
03111.0-00	03111.9-00	300W	119 x 151 x 22mm	0.50kg
03112.0-00	03112.9-00	400W	119 x 151 x 22mm	0.50kg

Art.no.HVL 031	Art.no.HVL 031	Heating capacity	Airflow min	Dimensions	Weight(approx.)
230vac,50/60Hz	120 vac,50/60Hz		free flow		
03102.0-00	03102.9-00	100W	35m <sup>3</sup> /h	80 x 112 x 47mm	0.60kg
03103.0-00	03103.9-00	150W	35m <sup>3</sup> /h	80 x 112 x 47mm	0.60kg
03113.0-00	03113.9-00	200W	108m <sup>3</sup> /h	119 x 151 x 47mm	0.90kg
03114.0-00	03114.9-00	300W	108m <sup>3</sup> /h	119 x 151 x 47mm	0.90kg
03115.0-00	03115.9-00	400W	108m <sup>3</sup> /h	119 x 151 x 47mm	0.90kg



# LK143 Series Compact Fan Heater

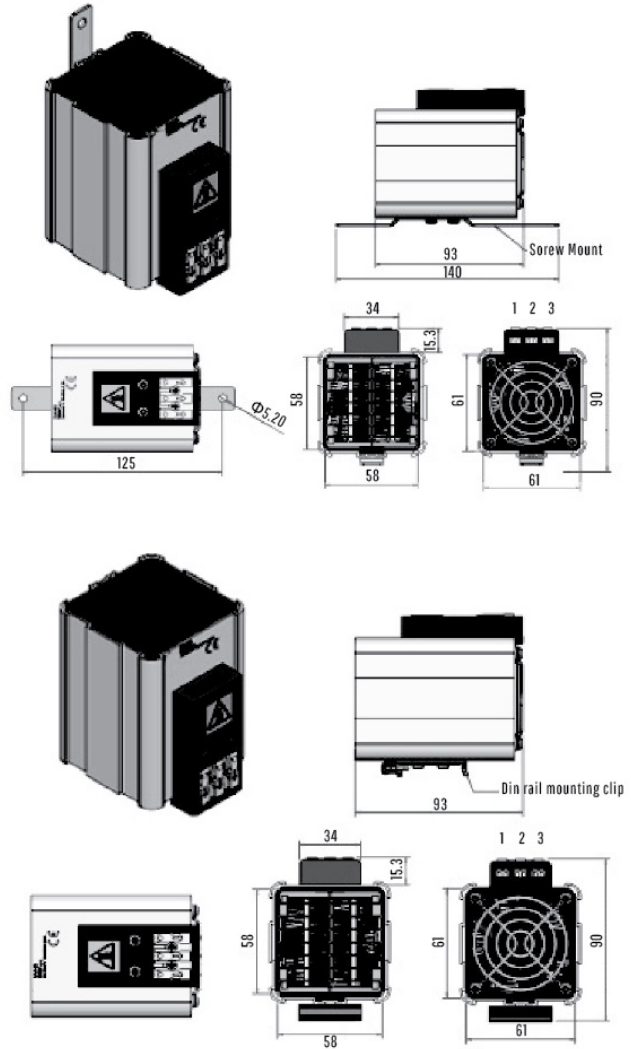
150-500W



Connections  
 Pos 1 Heater, Live  
 Pos 2 Neutral  
 Pos 3 Fan, Live

Note: Heater must be mounted vertically with air exit at the top

## Dimensions



LK143 220-240V 150W Screw Mount, 60mm Axial fan PTC heating element, with cage clamp connection

Type Number	LK143			
Nominal power output (+5/-10%) at 10 °C	150W (+5/-10%)	300W	400W	500W
Input Voltage	220-240V AC			
Rated frequency	50/60Hz			
Max. body temperature (25 °C Ambient)	74 °C			
Connection (Cage Type)	Push In			
Fan Lifetime (MTTF)	329,447h (30 °C 65%RH)			
Operating & Storage Temperature	-40- +70 °C (RH < 20%)			
Air Flow Rate (zero static pressure)	30m <sup>3</sup> /hr (18 CFM)			
Weight	300g			
Ingress Protection (EN60529)	IP20			
Electrical Protection	SK II			
Recommended Fuse (time Delay)	TBD	6.3A	6.3A	8A
Mounting	Screw Mount	Aluminum DIN Clip 35mm EN50022 Compliant		

# KHL 120 Fan heaters

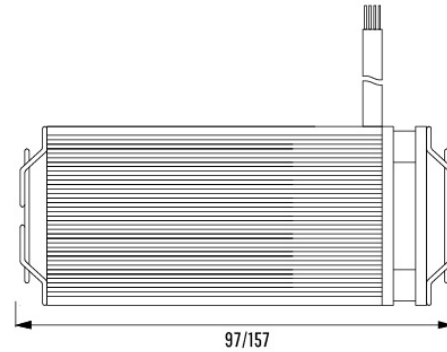
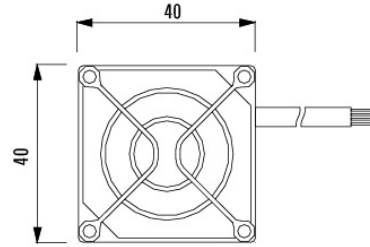
75-300W



- Compact design
- Long service life
- Clip fixing
- Maintenance free

Compact fan heater prevents formation of condensation. The integrated high performance axial fan provides forced air circulation and so guarantees an even temperature in enclosure.

## Dimensions



Type number		KHL120075.0-00	KHL120100.0-00	KHL120150.0-00	KHL120230.0-00	KHL120300.0-00
Heating Capacity*	W	75	100	150	230	300
Power supply	V	Heater 110-250V AC/DC, Fan 24V AC/DC				
Max. current	A	4	4	6	6	8
Heating element type	-	PTC resistor, self regulating				
Radiator	-	Extruded aluminium profile, anodized				
Axial fan	-	Ball bearing, service life 50.000 h at 25 °C (77°F), air flow rate 11m <sup>3</sup> /h, free flow				
		air flow rate 11m <sup>3</sup> /h, free flow				air flow rate 33m <sup>3</sup> /h, free flow
Electrical connections	-	Silicon cable, 4x0.5m <sup>3</sup> , length 400mm				
Protection class IEC	-	Class I				
Protection degree EN60529	-	IP20				
Operating temperature	°C (°F)	-20-+70 (-4-+158)				
Storage temperature	°C (°F)	-25-+70 (-13-+158)				
Mounting	-	Clip for mounting on DIN rail 35mm EN50022				
Installation position	-	Best performance in vertical installation				
Dimensions (H/W/D)	mm	97x40x40	97x40x40	132x40x40	142x40x40	157x40x40
Cable length	mm	400	400	400	400	400
Weight (with packaging)	kg	0.20(0.21)	0.20(0.21)	0.26(0.28)	0.28(0.30)	0.40(0.42)
Approvals	-	CE				

\*at 20 °C (68°F) ambient temperature

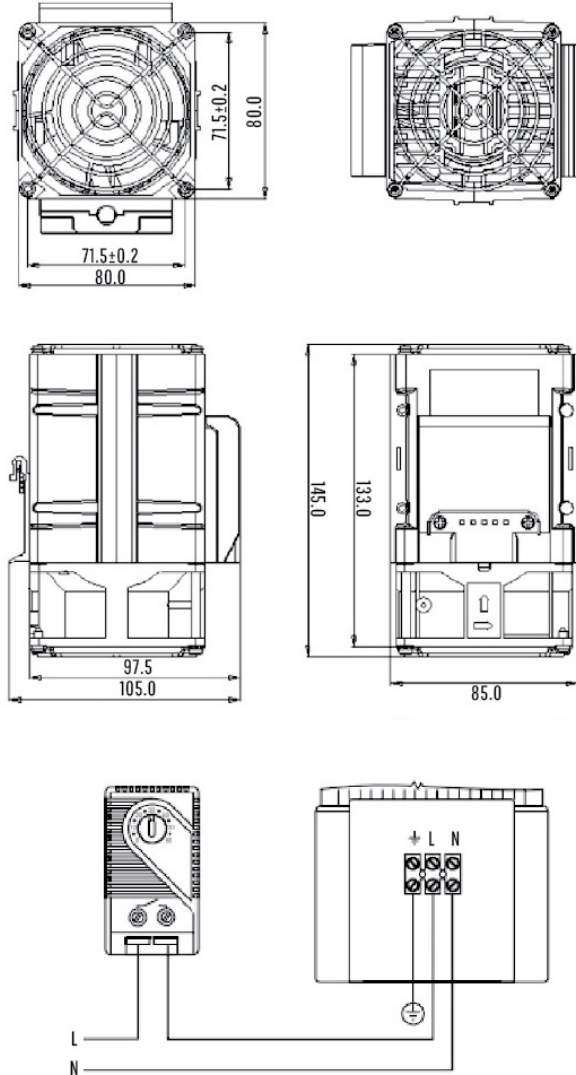
# KHP 300(B) Series Space-saving Heater

300W



- Compact Design
- Clip fixing
- Temperature safety cut-out
- Long service life
- Maintenance free

## Dimensions



KHP300	With Fan	
Heating element	PTC	
Input voltage, frequency, power	AC 230V, 50/60HZ, 300-350W	
Insulating property	2000V/0.5mA/5s	
Surface Temperature	60 °C (at 30 °C ambient temperature)	
Axial fan, ball bearing	Airflow: AC: 24m <sup>3</sup> /h (50Hz) or 31m <sup>3</sup> /h (60Hz)	
RPM	2400	
Heater body	Aluminium alloy castings+PPS profile	
Cooling method	Natural cooling	
Connection Casing	Plastic according to UL94V-0, black	
Mounting	Clip for 35mm DIN rail, EN50022	
Fitting position	Vertical	
Operating/Storage temperature	-45 - +70 °C (-49 - +158 °F)	
Protection type/Protection class	IP20/I(earthed)	
Mean life	50,000h at 25 °C (77 °F)	
Model No.	Rated operating voltage, frequency	Heating capacity
30005.0-00	230VAC, 50/60Hz	300W

# KH150-650/800-1500 Series Fan heaters

## 150-1500W



150-650W

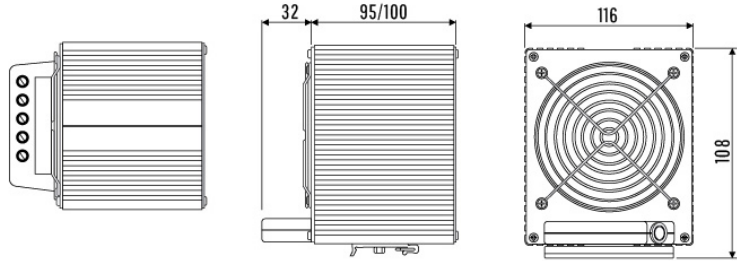


800-1500W

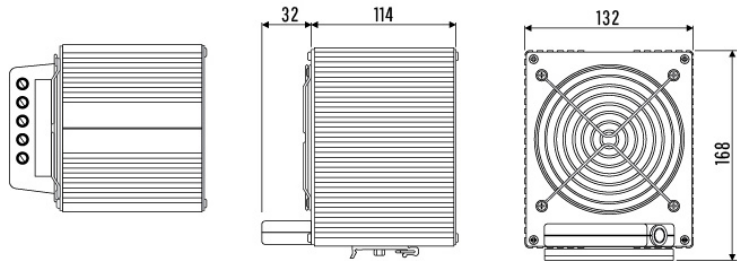
- Compact Design
- Clip fixing
- Temperature safety cut-out
- Long service life
- Maintenance free

Compact fan heater prevents formation of condensation. The integrated high performance axial fan provides forced air circulation and so guarantees an even temperature in enclosure.

### Dimensions



150-650W



800-1500W

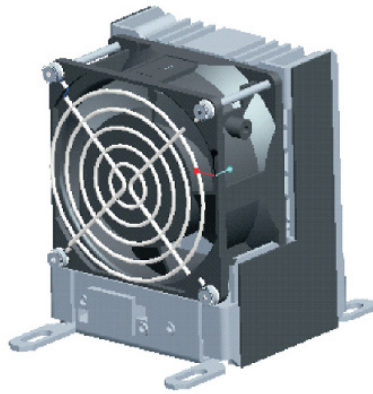
Heating element	PTC
Temperature safety cut-out	to protect against overheating in case of fan failure
Heater body	anodised extruded aluminium profile
Axial fan, ball bearing	Airflow, free flow, Air volume: 35m <sup>3</sup> /h, DC: 54m <sup>2</sup> /h, service life 50.000h at 25 °C (77°F)
Connection	5-pole screw connector 2.5mm <sup>2</sup>
Mounting	clip for 35mm DIN rail, EN 50022
Fitting position	vertical
Operating temperature	-25 - +70 °C (-13 - +158°F)
Storage temperature	-25 - +70 °C (-13 - +158°F)
Protection class	IP20 / I(earthed)

Model No.	Model No.	Heating capacity	Dimensions	Weight
230vac,50/60Hz	115VAC,50/60Hz			
150.0-00	150.9-00	150W	108x116x127mm	0.6kg
200.0-00	200.9-00	200W	108x116x127mm	0.6kg
250.0-00	250.9-00	250W	108x116x127mm	0.6kg
300.0-00	300.9-00	300W	108x116x127mm	0.6kg
400.0-00	400.9-00	400W	108x116x127mm	0.6kg
650.0-00	650.9-00	650W	108x116x132mm	1.1kg
800.0-00	800.9-00	800W	168*132*146mm	1.5kg
1000.0-00	1000.9-00	1000W	168*132*146mm	1.5kg
1200.0-00	1200.9-00	1200W	168*132*146mm	1.5kg
1500.0-00	1500.9-00	1500W	168*132*146mm	1.5kg



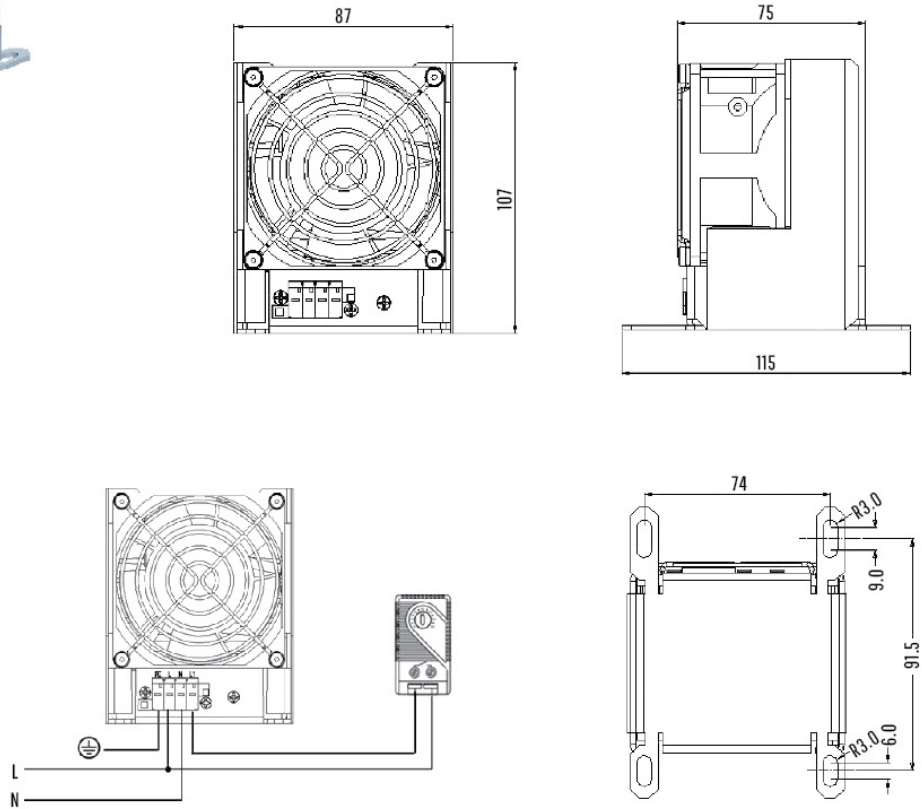
# LKHB 300 Fan heaters

300W



The product is composed of high-quality nickel-chromium alloy heat pipe, die-casting aluminum structure heat sink, high-performance axial fan, and temperature control switch. The electric heat pipe is placed in the center of the radiator body. The temperature control switch is near the electric heat pipe and hidden in the radiator body. The axial flow fan is close to the loose body.

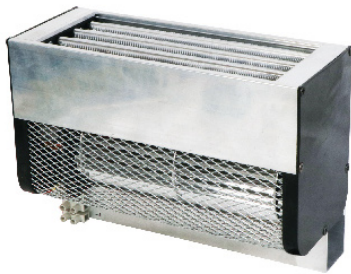
## Dimensions



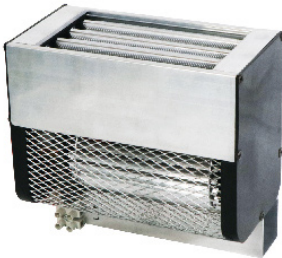
LKHB 300	With fan
Heating element	High performance core
Input voltage, frequency, power	AC 230V, 50/60HZ, 300W
Insulating property	2000V/0.5mA/5s
Temperature safety cut-out	to protect against overheating in case of fan failure
heating body	Die-cast aluminium(glass bead blasted)
speed	2700rpm
Mounting	Use M6 screws for fixation
connection type	Plug terminal connection
Connect terminal press line range	Single Line: 0.08-4.0mm <sup>2</sup> (AWG 28-12)
Fitting position	Vertical
Operating/storage temperature	-40 - +70 °C (-49 - +158°F)
Protection class	IP20/1 (earthed)
Mean life	50,000h at 25 °C (77°F)
Cooling mode	Automatic cooling

# LKB 2000/2800 Fan heaters

## 2000W-2800W



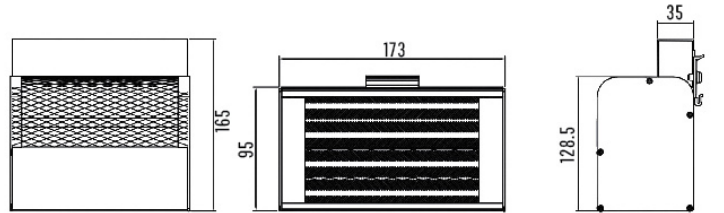
LKB-2000W



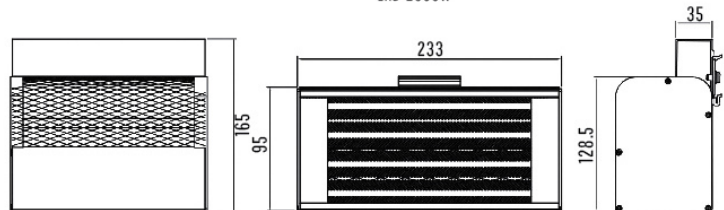
LKB-2800W

- High power, high efficiency heating.
- Thickened aluminum body for a stronger.
- Temperature safe disconnect function
- Ceramic PTC heating element.
- Quick installation, guide rail mounting.
- Protection degree: IP20
- Product color: silver
- Power : 2000-2800W

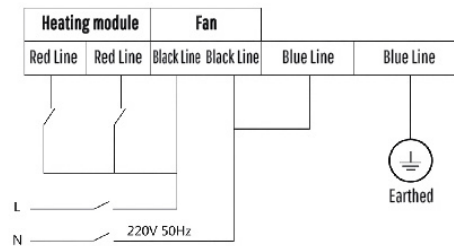
### Dimensions



LKB-2000W



LKB-2800W



Electrical wiring diagram

Model	LKB-2000W	LKB-2800W
Voltage (V)	120-240	120-240
Frequency (Hz)	50/60	50/60
Power (W)	2000	2800
Air flow (m <sup>3</sup> /h)	240	330
Noise (dB)	30	30
Size (mm)	175x95x165	233x95x165
Weight (KG)	1.4	1.8
Temperature range (°C)	-45-+85	-45-+85

# KCR 030 Compact Heater

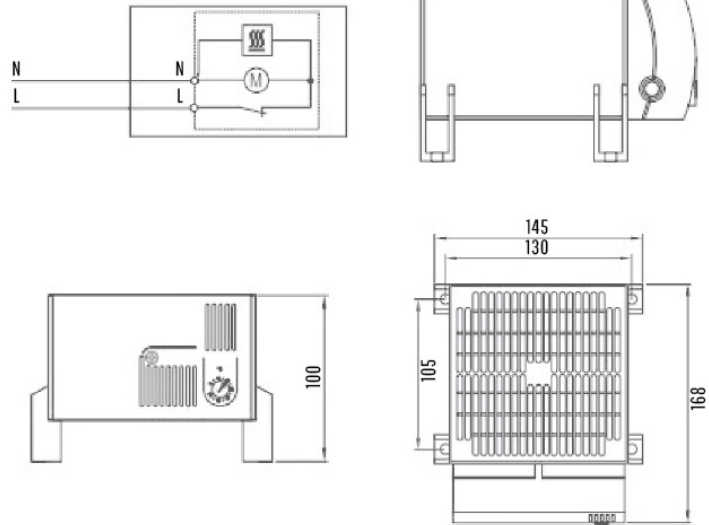
250W-1000W



- Compact design
- Double insulated
- Integrated thermostat or hygrostat

The compact high performance fan heater prevents formation of condensation and provides an evenly distributed interior air temperature in enclosures with electric/electronic components. The plastic enclosure provides double insulation and acts as protection against contact. The fan heater is available with integrated thermostat or pre-set hygrostat for temperature or humidity control. The CT 030 was designed as a stationary unit for the bottom of the enclosure. For wall fixing the fan heater CR 130 is recommended.

### Dimensions



Heating element	high performance cartridge
Temperature safety cut-out	to protect against overheating in case of fan failure automatic reset
Heater body	extruded alumin profile
Axial fan, ball bearing	airflow 160 m <sup>3</sup> /h, free flow
Connection	2-pole max. 2.5mm <sup>2</sup> , clamping screw with strain relief torque 0.8Nm max.
Casing	plastic according to UL94 V-0, black
Mounting	screw fixing (M5)
Fitting position	horizontal
Dimensions	168×145×100mm
Weight	approx. 1.40kg
Operating/storage temperature	-45 - +70 °C (-49 - +158°F)
Protection type/Production class	IP20 / II (double insulated)

Note: other heating capacities from 200W up available on request \* Operating temperature of heater with integrated hygrostat: 0 to +60 °C (+32 to 140°F)

Art. No.	Model	Rated operating voltage, frequency	Heating capacity	Setting range
KCR03047.0-00	Fan Heater with thermostat	230VAC, 50/60Hz	250W	0 - 60 °C
KCR03047.0-02	Fan Heater with hygrostat	230VAC, 50/60Hz	250W	65% RH, factory-set
KCR03047.9-00	Fan Heater with thermostat	120VAC, 50/60Hz	250W	+32 - 140°F
KCR03048.0-00	Fan Heater with hygrostat	230VAC, 50/60Hz	400W	0 - 60 °C
KCR03048.0-02	Fan Heater with thermostat	230VAC, 50/60Hz	400W	65% RH, factory-set
KCR03048.9-00	Fan Heater with hygrostat	120VAC, 50/60Hz	400W	+32 - 140°F
KCR03049.0-00	Fan Heater with thermostat	230VAC, 50/60Hz	600W	0 - 60 °C
KCR03049.0-02	Fan Heater with hygrostat	230VAC, 50/60Hz	600W	65% RH, factory-set
KCR03049.9-00	Fan Heater with thermostat	120VAC, 50/60Hz	600W	+32 - 140°F
KCR03050.0-00	Fan Heater with hygrostat	230VAC, 50/60Hz	800W	0 - 60 °C
KCR03050.0-02	Fan Heater with thermostat	230VAC, 50/60Hz	800W	65% RH, factory-set
KCR03050.9-00	Fan Heater with hygrostat	120VAC, 50/60Hz	800W	+32 - 140°F
KCR03051.0-00	Fan Heater with thermostat	230VAC, 50/60Hz	900W	0 - 60 °C
KCR03051.0-02	Fan Heater with hygrostat	230VAC, 50/60Hz	900W	65% RH, factory-set
KCR03051.9-00	Fan Heater with thermostat	120VAC, 50/60Hz	900W	+32 - 140°F
KCR03052.0-00	Fan Heater with hygrostat	230VAC, 50/60Hz	1000W	0 - 60 °C
KCR03052.0-02	Fan Heater with thermostat	230VAC, 50/60Hz	1000W	65% RH, factory-set
KCR03051.9-00	Fan Heater with hygrostat	120VAC, 50/60Hz	1000W	+32 - 140°F

\*according to UL 499 in combination with UL 508A

# KCS 030 Compact Heater

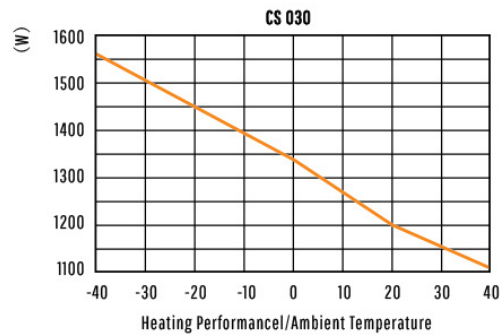
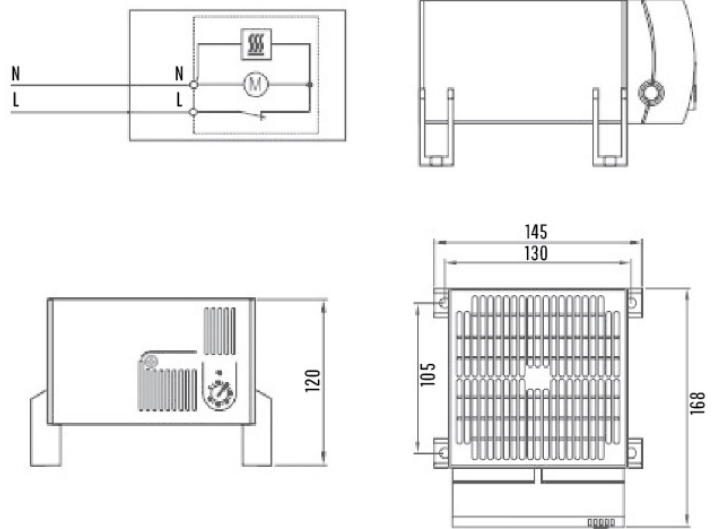
1200W



- Compact design
- Double insulated
- Integrated thermostat or hygrostat

The compact high performance fan heater prevents formation of condensation and provides an evenly distributed interior air temperature in enclosures with electric /electronic components. The plastic enclosure provides double insulation and acts as protection against contact. The fan heater is available with optional integrated thermostat for temperature control. The RCS 030 was designed as a stationary unit for the bottom of the enclosure. For wall fixing the fan heater RCS 130 is recommended.

## Dimensions



Heating element	high performance cartridge
Temperature safety cut-out	to protect against overheating in case of fan failure. automatic reset
Mean life	60,000h at 20 °C (68°F)
Heater body	extruded alumin profile
Axial fan, ball bearing	airflow 160 m³/h, free flow
Connection	2-pole max. 2.5mm², clamping screw with strain relief torque 0.8Nm max.
Casing	plastic according to UL94 V-0, black
Mounting	screw fixing (M5)
Fitting position	horizontal
Dimensions	168×145×100mm
Weight	approx. 1.20kg
Operating/storage temperature	-45 - +70 °C (-49 - +158°F)
Protection type/Production class	IP20 / II (double insulated)

Art. No.	Model	Rated operating voltage, frequency	Heating capacity	Inrush current max.	Setting range
KCS03060.0-00	Fan Heater with thermostat	230VAC, 50/60Hz	1200W	13A	0 - +60 °C
KCS03060.0-01	Fan Heater without thermostat	230VAC, 50/60Hz	1200W	13A	-
KCS03060.9-00	Fan Heater with thermostat	120VAC, 50/60Hz	1200W	16A	+30 - +140°
KCS03060.9-01	Fan Heater without thermostat	120VAC, 50/60Hz	1200W	16A	-